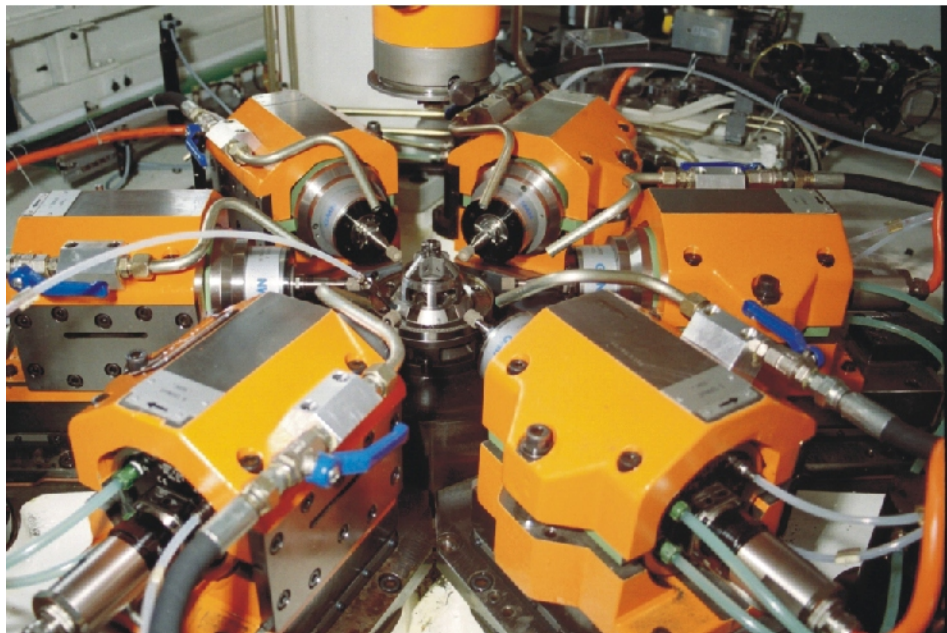
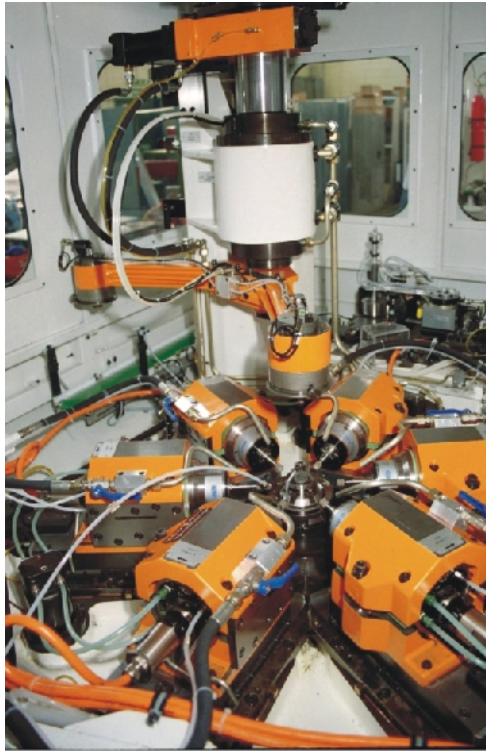


NC GRINDING MACHINES FOR CV JOINT CAGE WINDOWS

- Special machine for automatic and simultaneous grinding of 6 cage windows.
- 3 controlled axes.
- Automatic work part loading/unloading.
- Cycle time: 11 seconds.
- Extremely versatile with quick change over system

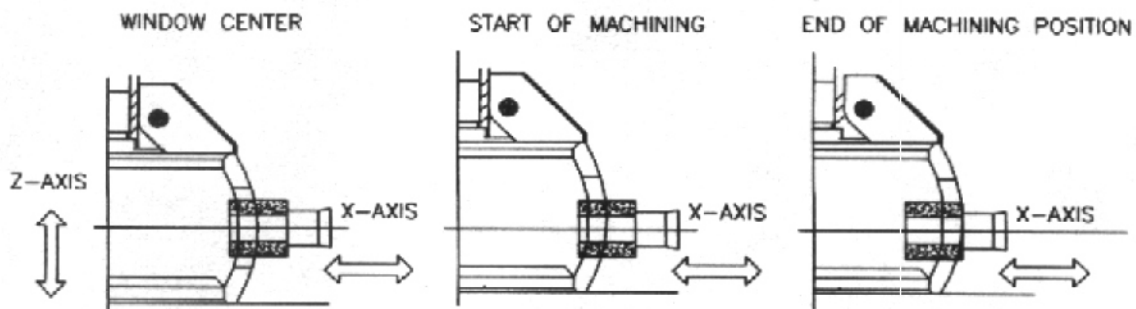




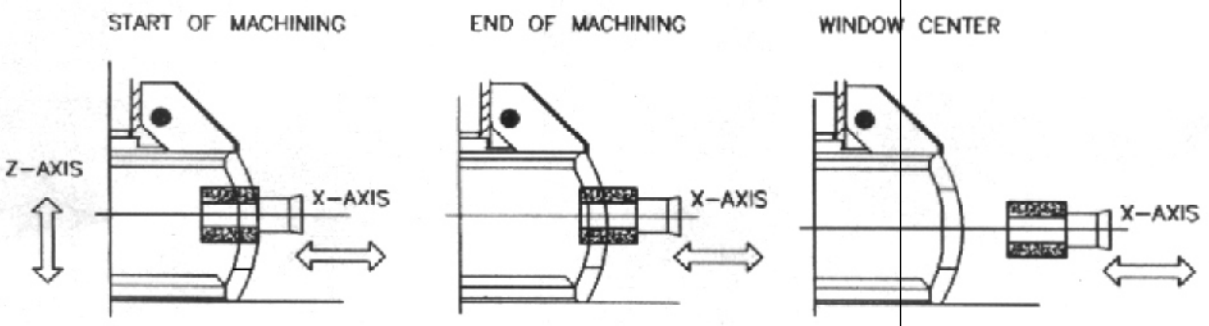
NC GRINDING MACHINES

MACHINING CYCLE OF CV JOINT CAGE WINDOWS

LOWER WINDOW SEQUENCE



UPPER WINDOW SEQUENCE



FURTHER DETAILS AND INFORMATION UPON REQUEST