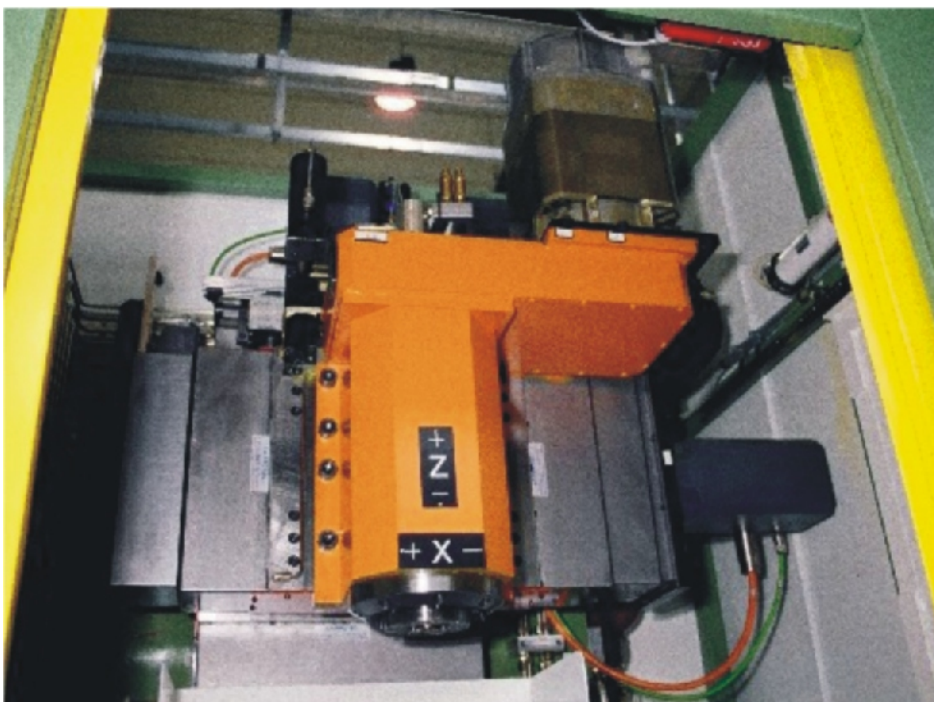
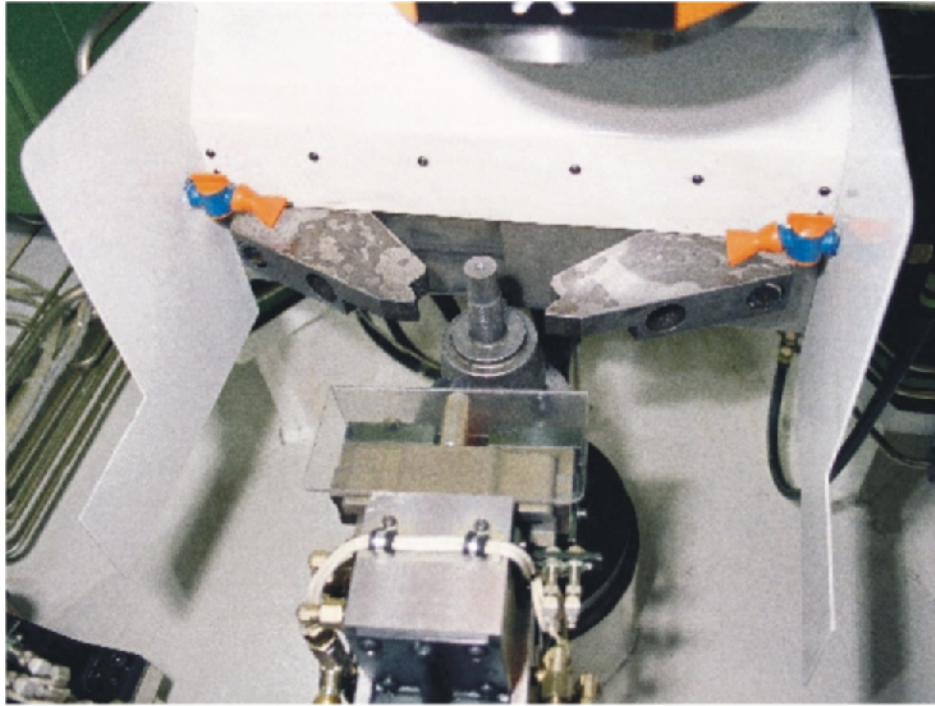


NC MILLING / END-FACING MACHINES

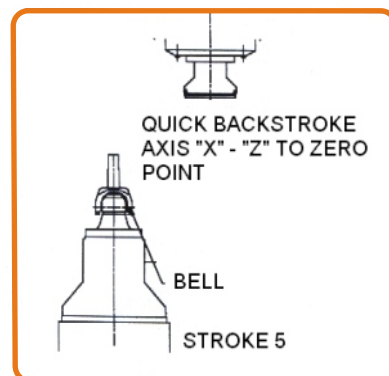
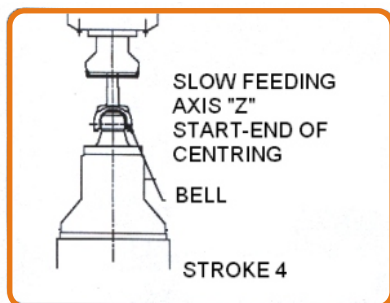
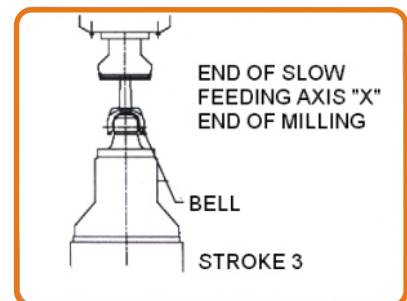
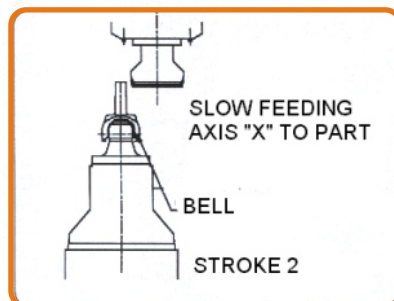
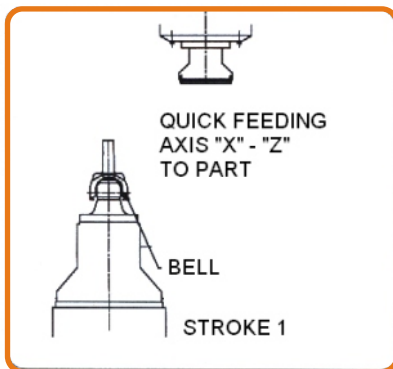
- Special vertical Milling / End-facing Machine with 2 controlled axes.
- Spindle speed adjustable in continuous.
- Automatic loading/unloading.





NC MILLING / END-FACING MACHINES

MACHINING CYCLE FOR CV JOINT BELL



FURTHER DETAILS AND INFORMATION UPON REQUEST