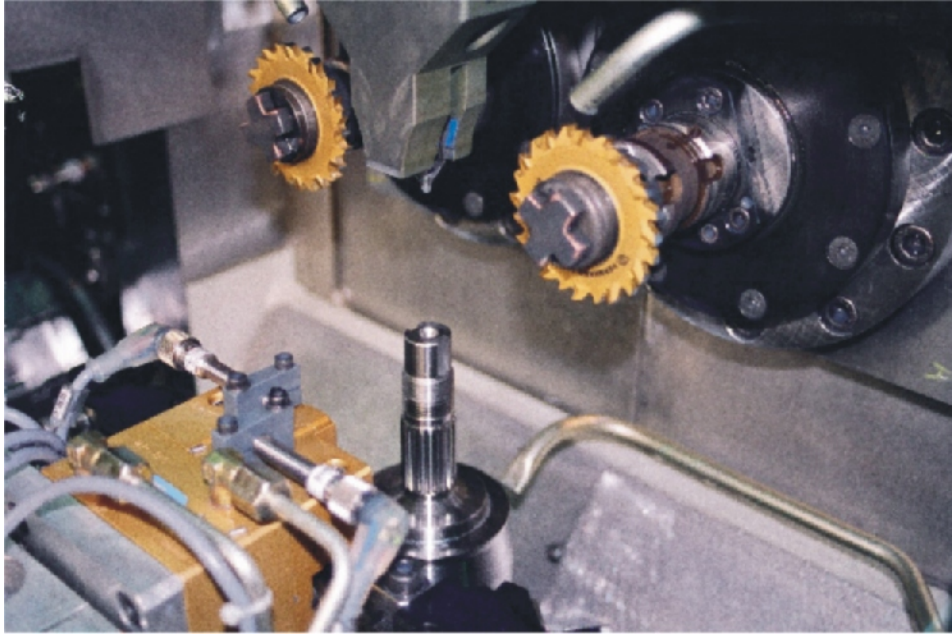


NC MILLING MACHINES

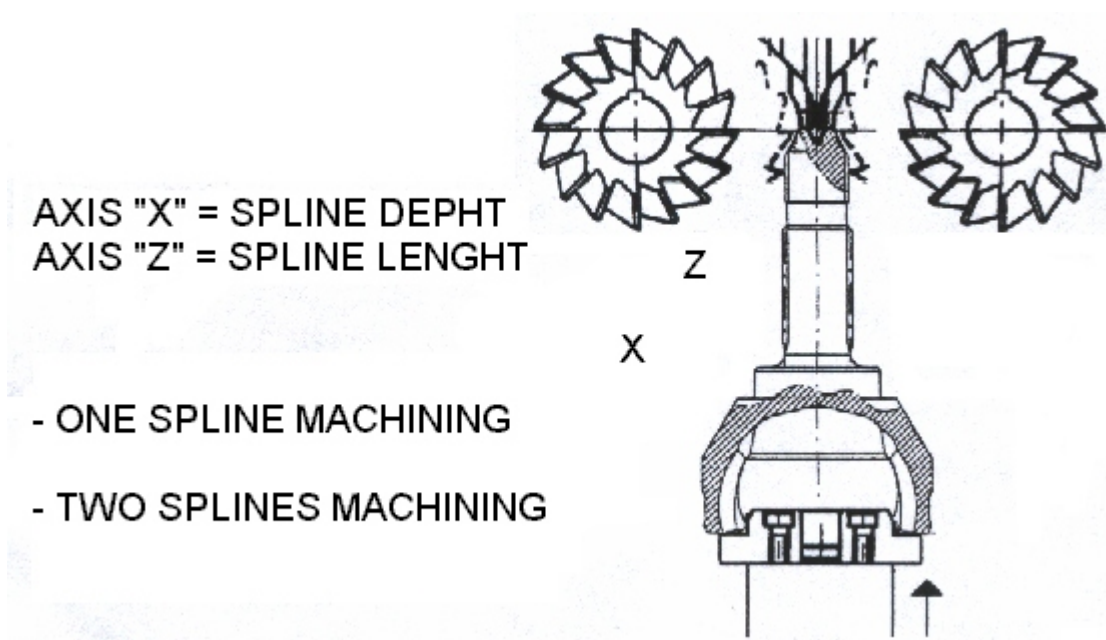
- Special Milling Machine with 2 axes for spline slots.
- Machine model with 1 or 2 milling heads.
- Dry machining.
- Automatic loading/unloading.
- Deburring station.





NC MILLING MACHINE

MACHINING CYCLE FOR CV JOINT BELL



FURTHER DETAILS AND INFORMATION UPON REQUEST